

30/971

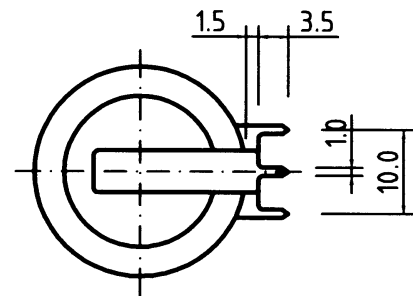
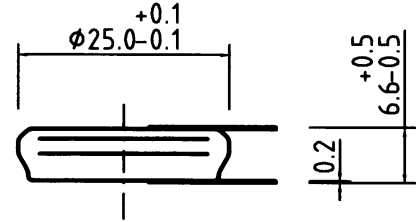
E-170B26 NI-CD (SIZE): BUTTON CELL

Cell Dimension (With shrink sleeve)

Diameter	25 ± 0.5 mm
Height	6.5 ± 0.7 mm
Approximate Weight	10.5 g

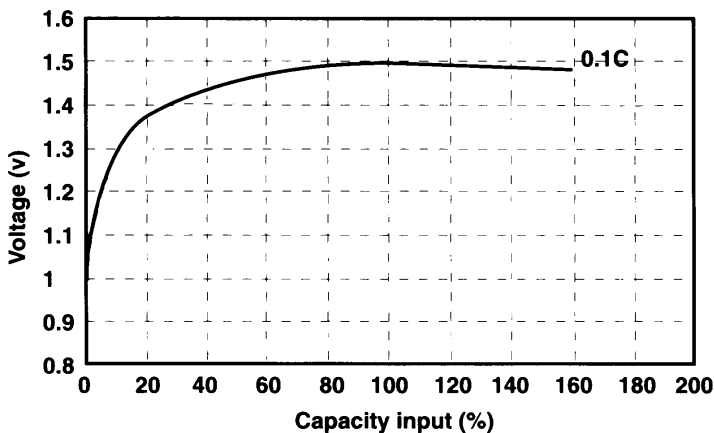
Specifications

Nominal Voltage		1.2 V	
0.2C Discharge Capacity*	Typical **	180 mAh	
	Nominal	170 mAh	
Charge	Standard	17 mA for 14 to 16hr	
	Fast	35 mA for 7 - 8 hr	
Life Expectancy		500 cycles	
Operating Temperature	Charge	Standard	0°C to 40°C
		Fast	10°C to 30°C
	Discharge		-10°C to 40°C
	Storage	<6 months	0°C to 35°C
<2 months		0°C to 45°C	

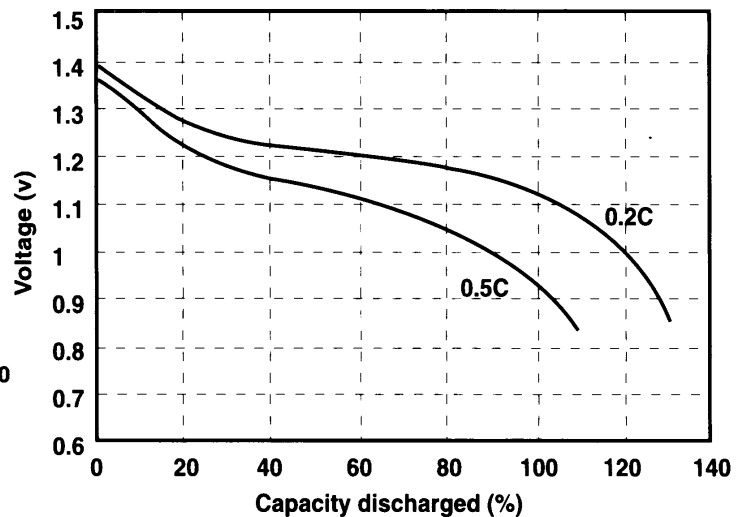


* After charging for 16 hr. with 0.1 C
** Average capacity

Charging curve of single cell E-170B26 at 0.1C charging rate



Discharge curves of single cell E-170B26 at various discharge rates at room temperature.



30/972

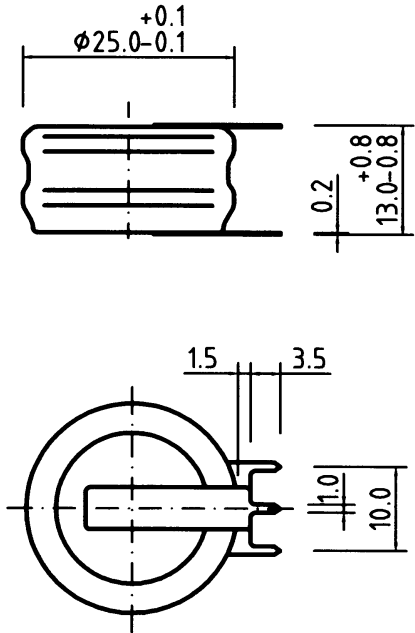
E-170B26 NI-CD (SIZE): BUTTON CELL

Cell Dimension (With shrink sleeve)

Diameter	25 ± 0.5 mm
Height	13 ± 0.7 mm
Approximate Weight	20 g

Specifications

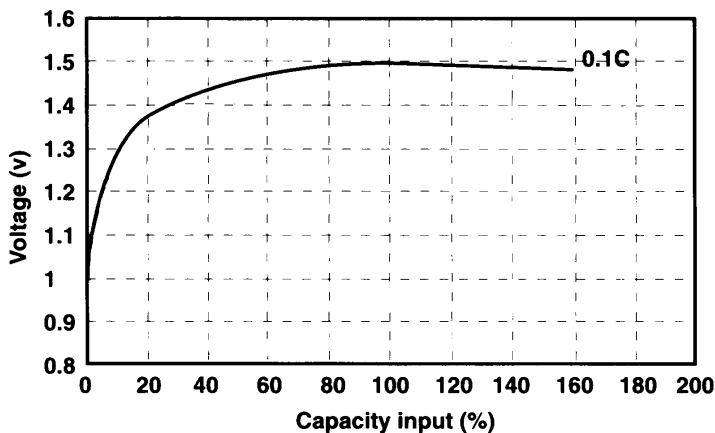
Nominal Voltage		2;4 V	
0.2C Discharge Capacity*	Typical **	180 mAh	
	Nominal	170 mAh	
Charge	Standard	17 mA for 14 to 16hr	
	Fast	35 mA for 7 - 8 hr	
Life Expectancy		500 cycles	
Operating Temperature	Charge	Standard	0°C to 40°C
		Fast	10°C to 30°C
	Discharge		-10°C to 40°C
	Storage	<6 months	0°C to 35°C
<2 months		0°C to 45°C	



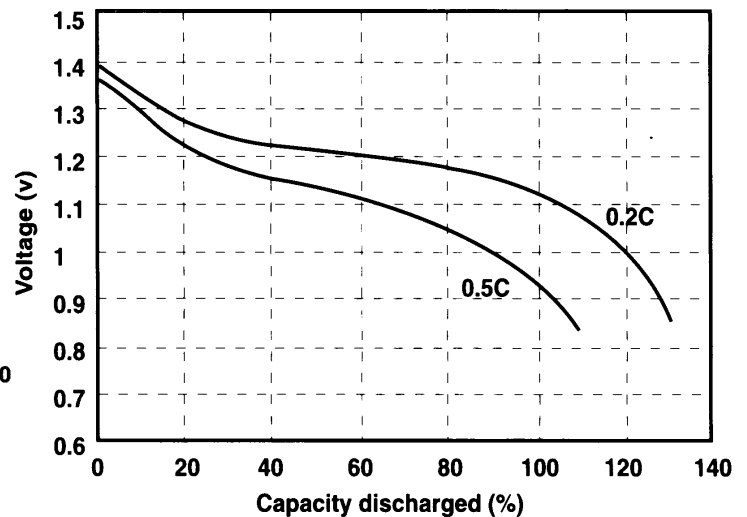
* After charging for 16 hr. with 0.1 C

** Average capacity

Charging curve of single cell E-170B26 at 0.1C charging rate



Discharge curves of single cell E-170B26 at various discharge rates at room temperature.



30/973

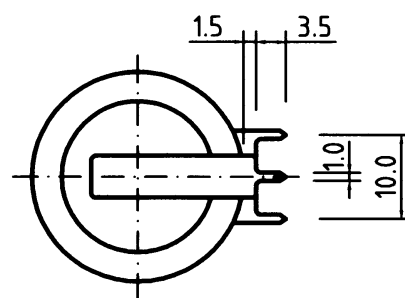
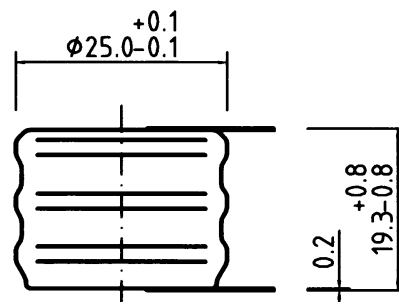
E-170B26 NI-CD (SIZE): BUTTON CELL

Cell Dimension (With shrink sleeve)

Diameter	25 ± 0.5 mm
Height	19.5 ± 0.7 mm
Approximate Weight	29.5 g

Specifications

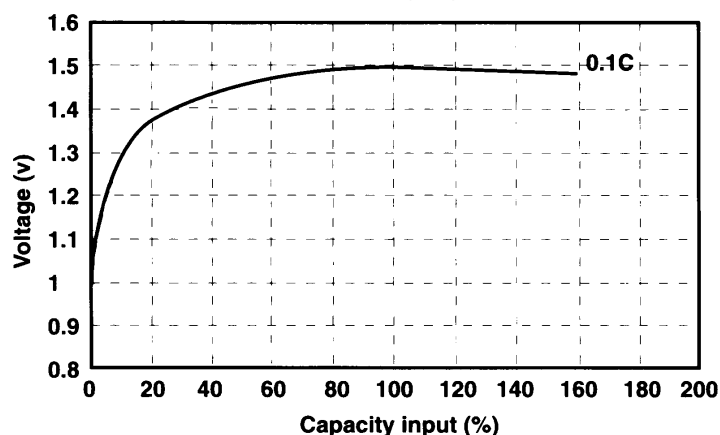
Nominal Voltage		3.6 V	
0.2C Discharge Capacity*	Typical **	180 mAh	
	Nominal	170 mAh	
Charge	Standard	17 mA for 14 to 16hr	
	Fast	35 mA for 7 - 8 hr	
Life Expectancy		500 cycles	
Operating Temperature	Charge	Standard	0°C to 40°C
		Fast	10°C to 30°C
	Discharge		-10°C to 40°C
	Storage	<6 months	0°C to 35°C
<2 months		0°C to 45°C	



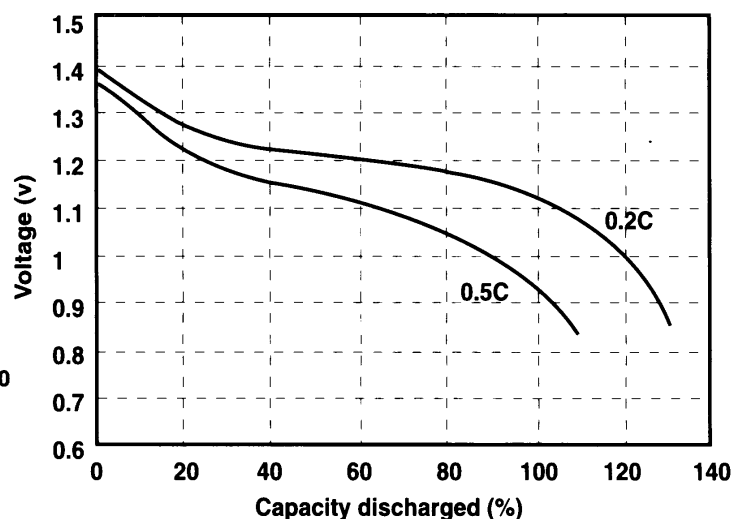
* After charging for 16 hr. with 0.1 C

** Average capacity

Charging curve of single cell E-170B26 at 0.1C charging rate



Discharge curves of single cell E-170B26 at various discharge rates at room temperature.



30/974

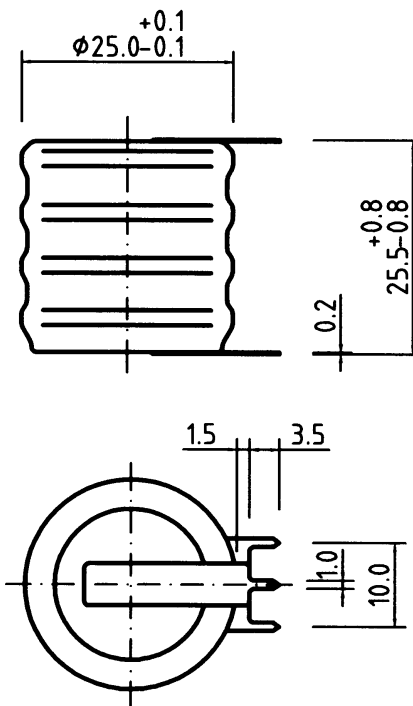
E-170B26 NI-CD (SIZE): BUTTON CELL

Cell Dimension (With shrink sleeve)

Diameter	25 ± 0.5 mm
Height	27 ± 0.7 mm
Approximate Weight	39 g

Specifications

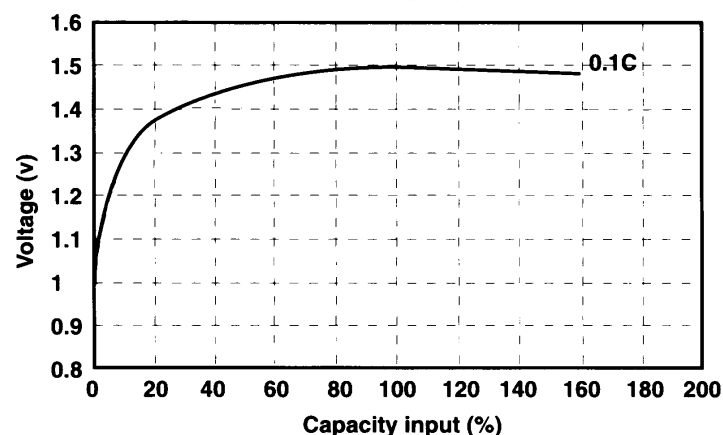
Nominal Voltage		4.8 V	
0.2C Discharge Capacity*	Typical **	180 mAh	
	Nominal	170 mAh	
Charge	Standard	17 mA for 14 to 16hr	
	Fast	35 mA for 7 - 8 hr	
Life Expectancy		500 cycles	
Operating Temperature	Charge	Standard	0°C to 40°C
		Fast	10°C to 30°C
	Discharge		-10°C to 40°C
	Storage	<6 months	0°C to 35°C
<2 months		0°C to 45°C	



* After charging for 16 hr. with 0.1 C

** Average capacity

Charging curve of single cell E-170B26 at 0.1C charging rate



Discharge curves of single cell E-170B26 at various discharge rates at room temperature.

